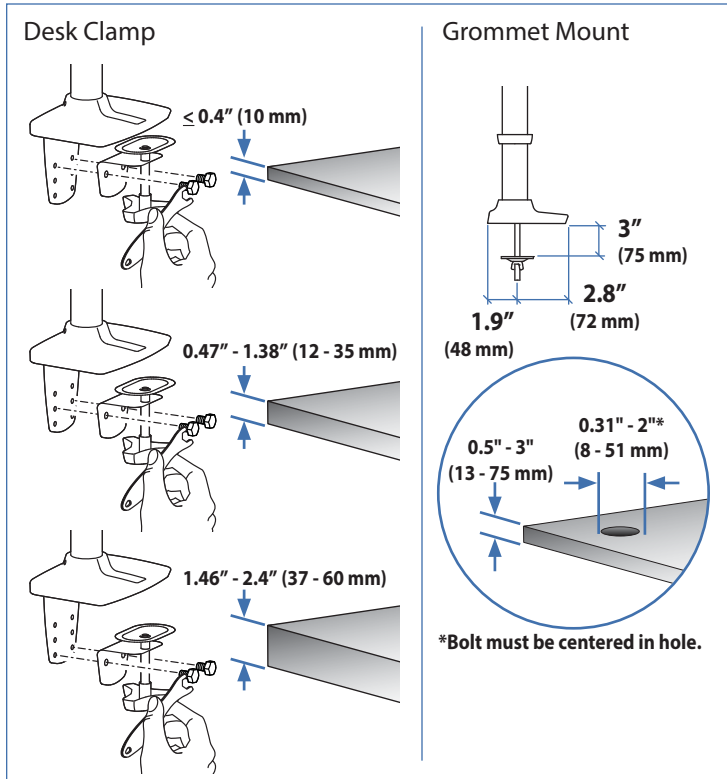
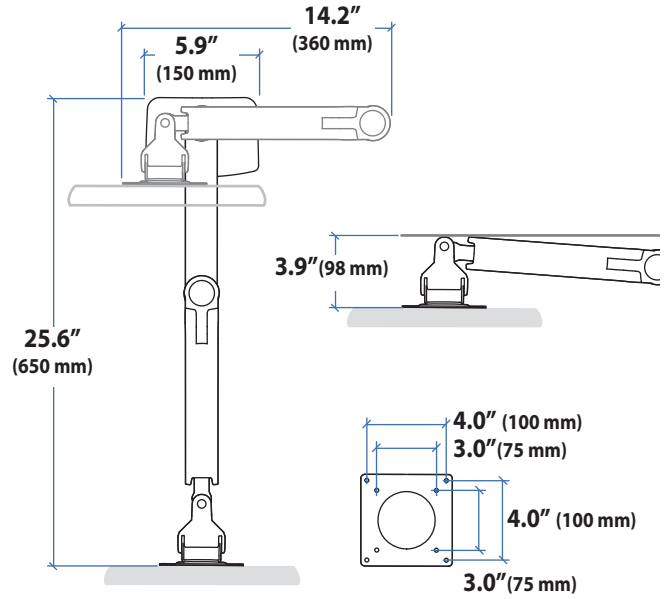
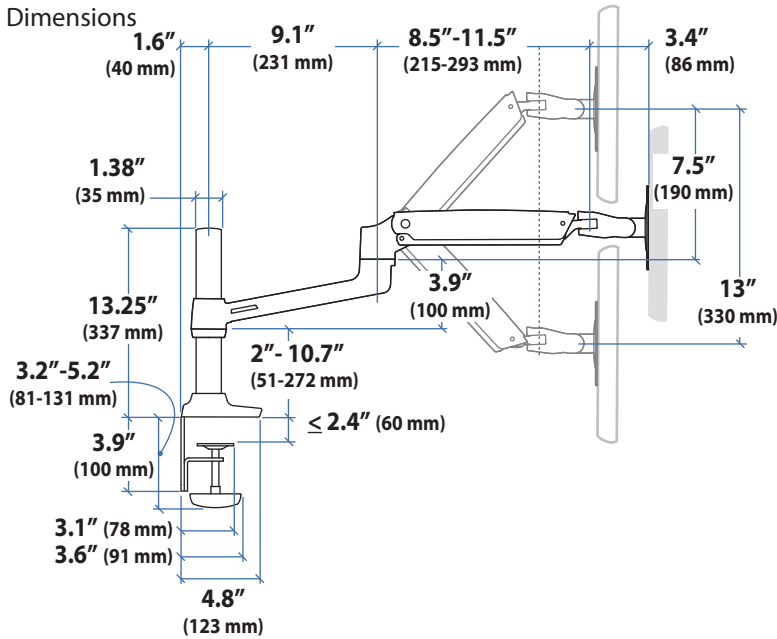
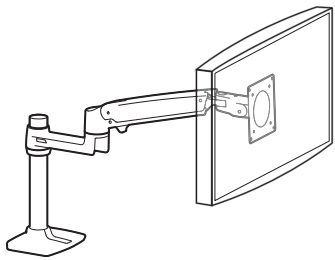


# LX Desk Mount Monitor Arm, Tall Pole



© 2014 Ergotron, Inc. rev. 01/16/19 DIM-056-TallPole Content is subject to change without notification

**Americas Sales and Corporate Headquarters**

St. Paul, MN USA  
 (800) 888-8458  
 +1-651-681-7600  
 www.ergotron.com  
 sales@ergotron.com

**EMEA Sales**

Amersfoort, The Netherlands  
 +31 33 45 45 600  
 www.ergotron.com  
 info.eu@ergotron.com

**APAC Sales**

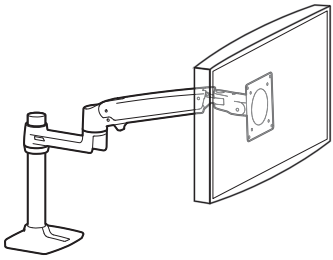
Tokyo, Japan  
 www.ergotron.com  
 japansupport@ergotron.com

**Worldwide OEM Sales**

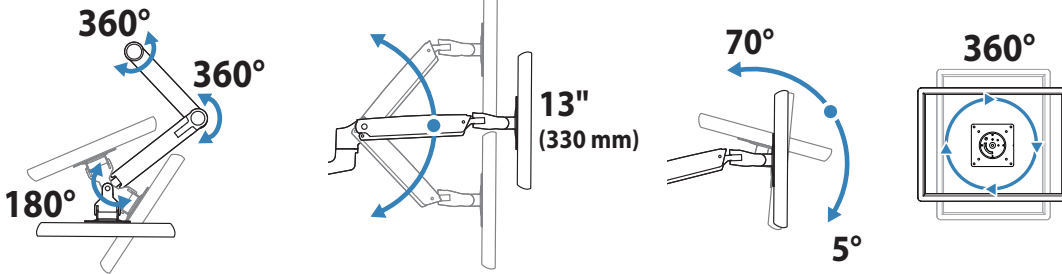
www.ergotron.com  
 info.oem@ergotron.com



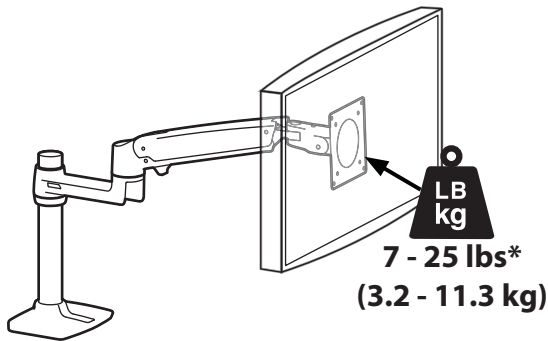
# LX Desk Mount Monitor Arm, Tall Pole



## Range of Motion

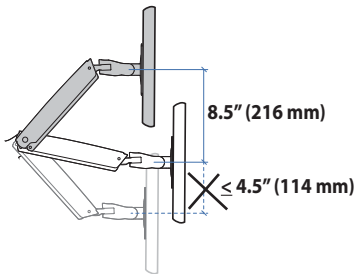


## Weight Capacity



Monitor depth greater than 2.5" (64 mm) may diminish capacity. Call Ergotron for more information.

**\* The lower most range of motion for vertical lift is decreased up to 4.5" (114 mm) when arm is adjusted to hold over 20lbs (9 kgs).**



### Americas Sales and Corporate Headquarters

St. Paul, MN USA  
(800) 888-8458  
+1-651-681-7600  
www.ergotron.com  
sales@ergotron.com

### EMEA Sales

Amersfoort, The Netherlands  
+31 33 45 45 600  
www.ergotron.com  
info.eu@ergotron.com

### APAC Sales

Tokyo, Japan  
www.ergotron.com  
japansupport@ergotron.com

### Worldwide OEM Sales

www.ergotron.com  
info.oem@ergotron.com