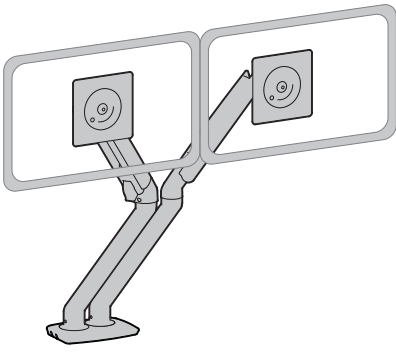


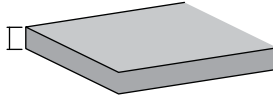
# MXV Dual Monitor Arm



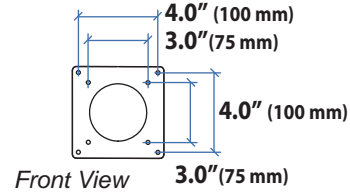
## Dimensions

### Desk Thickness

0.47"-1.25"  
(12-32 mm)

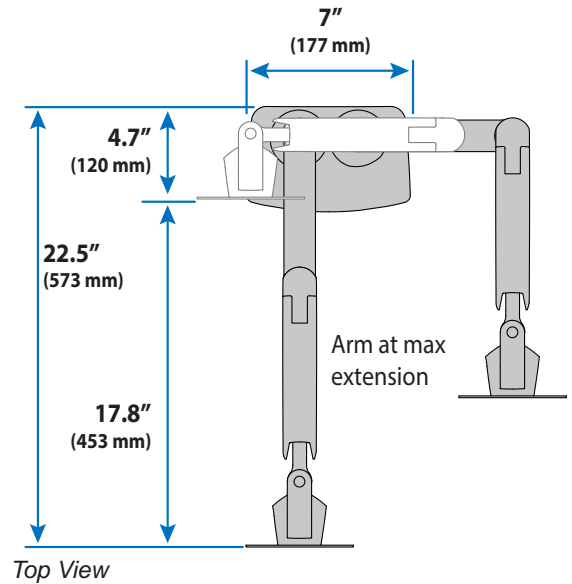
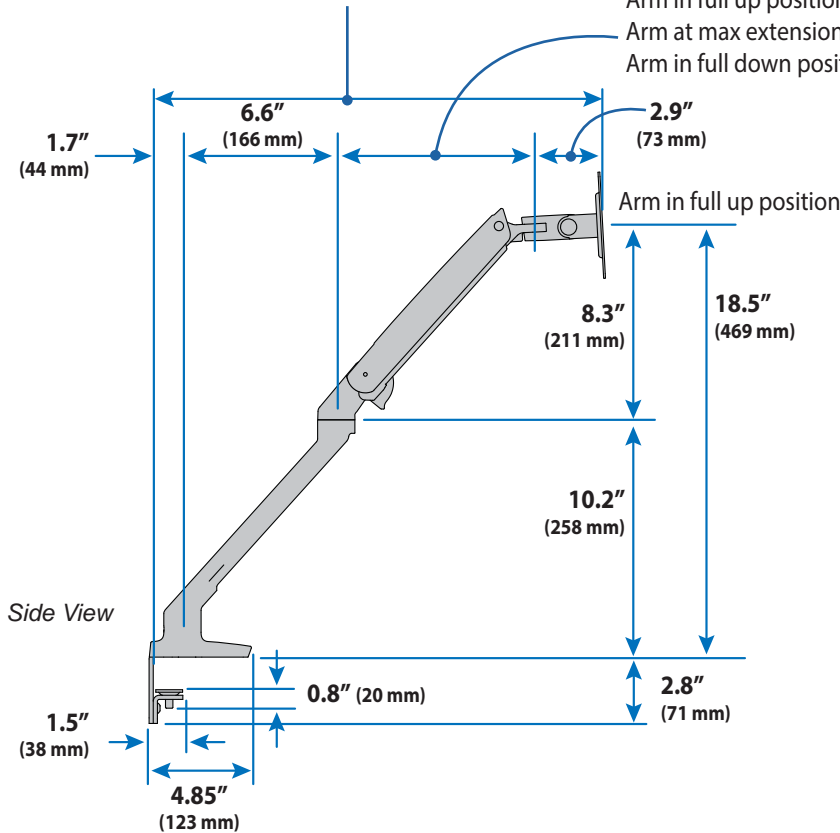


### Monitor Interface Bracket



Arm in full up position: 19.4" (493 mm)  
Arm at max extension: 22.5" (570 mm)  
Arm in full down position: 19.9" (506 mm)

Arm in full up position: 8.2" (210 mm)  
Arm at max extension: 11.3" (287 mm)  
Arm in full down position: 8.7" (223 mm)



© 2017 Ergotron, Inc. rev. 12/13/2018 DIM-MXVdual Content is subject to change without notification

### Americas Sales and Corporate Headquarters

St. Paul, MN USA  
(800) 888-8458  
+1-651-681-7600  
www.ergotron.com  
sales@ergotron.com

### EMEA Sales

Amersfoort, The Netherlands  
+31 33 45 45 600  
www.ergotron.com  
info.eu@ergotron.com

### APAC Sales

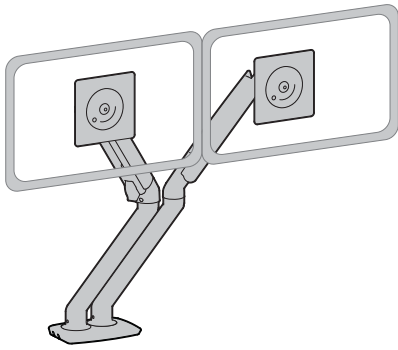
Tokyo, Japan  
www.ergotron.com  
japansupport@ergotron.com

### Worldwide OEM Sales

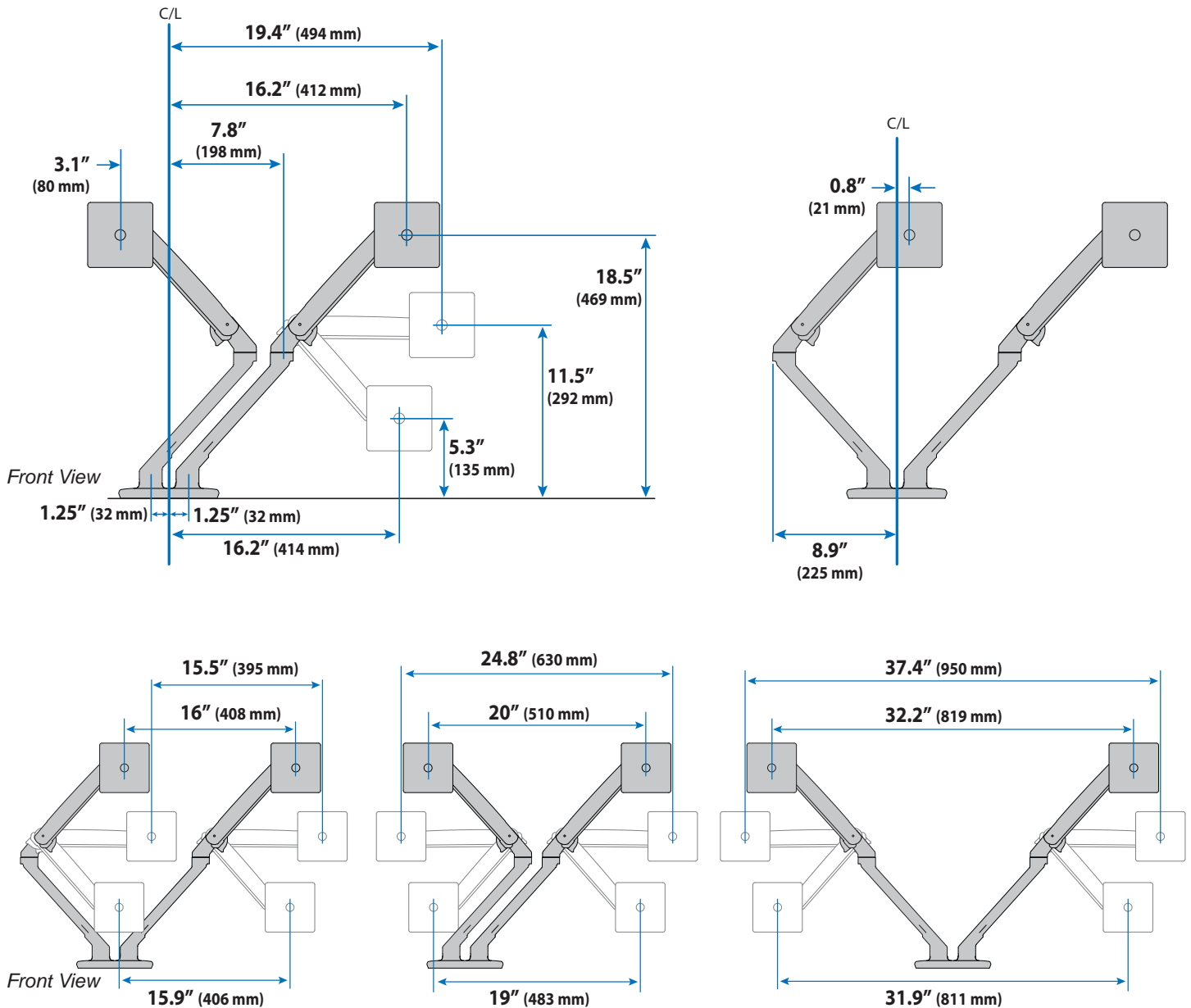
www.ergotron.com  
info.oem@ergotron.com



# MXV Dual Monitor Arm



## Dimensions



© 2017 Ergotron, Inc. rev. 12/13/2018 DIM-MXVdual Content is subject to change without notification

**Americas Sales and Corporate Headquarters**

St. Paul, MN USA  
 (800) 888-8458  
 +1-651-681-7600  
 www.ergotron.com  
 sales@ergotron.com

**EMEA Sales**

Amersfoort, The Netherlands  
 +31 33 45 45 600  
 www.ergotron.com  
 info.eu@ergotron.com

**APAC Sales**

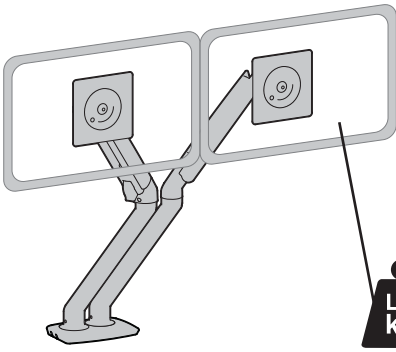
Tokyo, Japan  
 www.ergotron.com  
 japansupport@ergotron.com

**Worldwide OEM Sales**

www.ergotron.com  
 info.oem@ergotron.com



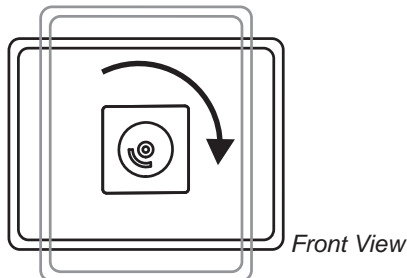
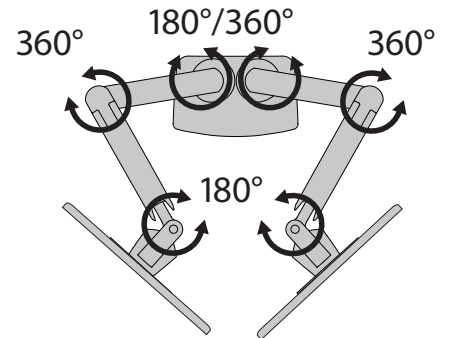
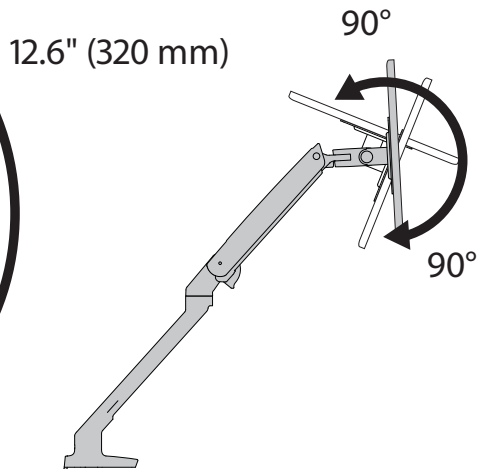
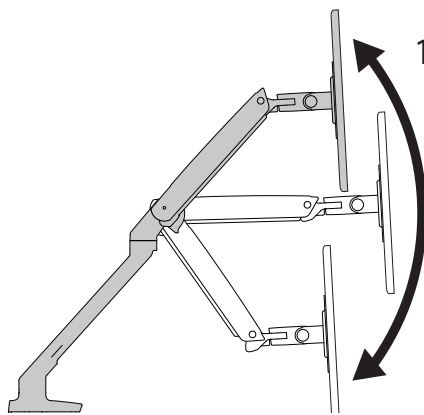
# MXV Dual Monitor Arm



Weight Capacity per Monitor:  
7 lbs (3.2 kg) - 20 lbs. (9.1 kg)

Monitor depth greater than 2.5" (64 mm) may diminish capacity.  
Call Ergotron for more information.

## Range of Motion



**Portrait/Landscape Rotation.**

### Americas Sales and Corporate Headquarters

St. Paul, MN USA  
(800) 888-8458  
+1-651-681-7600  
www.ergotron.com  
sales@ergotron.com

### EMEA Sales

Amersfoort, The Netherlands  
+31 33 45 45 600  
www.ergotron.com  
info.eu@ergotron.com

### APAC Sales

Tokyo, Japan  
www.ergotron.com  
japansupport@ergotron.com

### Worldwide OEM Sales

www.ergotron.com  
info.oem@ergotron.com