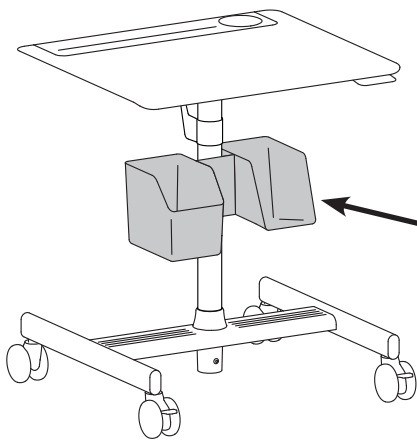
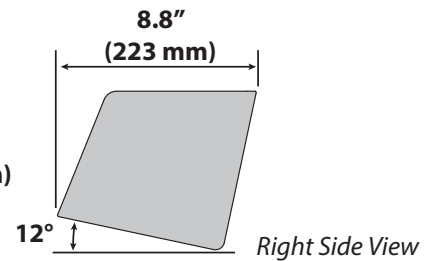
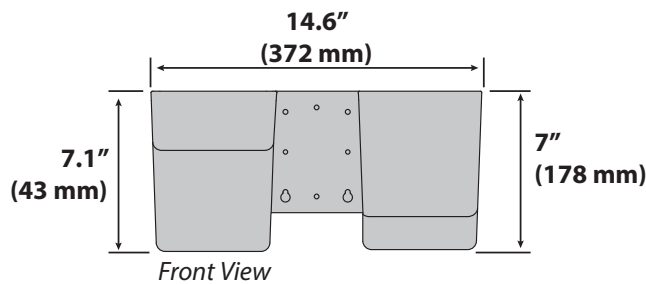
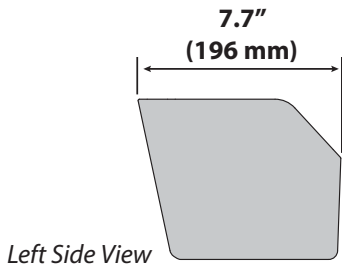


# LearnFit™ Storage Bin

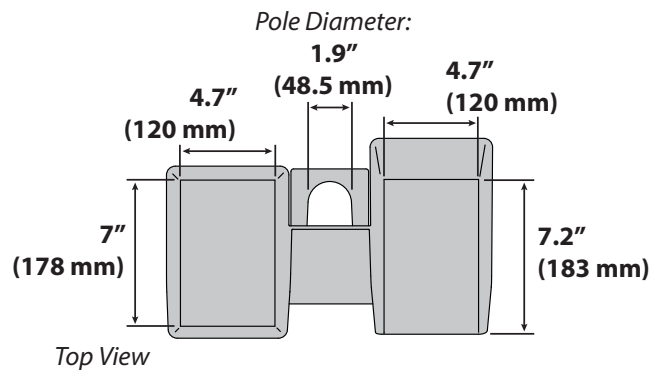
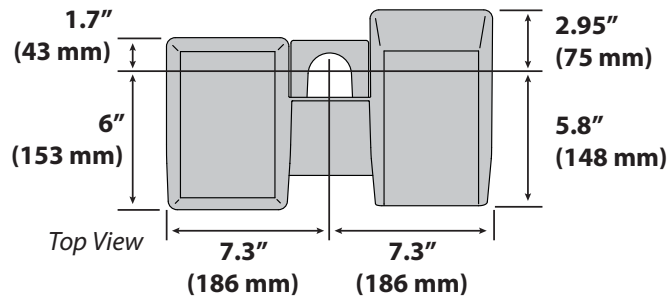


**WEIGHT CAPACITY**  
 $\leq 8 \text{ lbs. (3.6 kg)}$

**DIMENSIONS**



*Dimensions from center of pole:*



© 2017 Ergotron, Inc. rev. 12/13/2018 DIM-LearnFit3Bin **Content is subject to change without notification**

**Americas Sales and Corporate Headquarters**

St. Paul, MN USA  
 (800) 888-8458  
 +1-651-681-7600  
 www.ergotron.com  
 sales@ergotron.com

**EMEA Sales**

Amersfoort, The Netherlands  
 +31 33 45 45 600  
 www.ergotron.com  
 info.eu@ergotron.com

**APAC Sales**

Tokyo, Japan  
 www.ergotron.com  
 japansupport@ergotron.com

**Worldwide OEM Sales**

www.ergotron.com  
 info.oem@ergotron.com