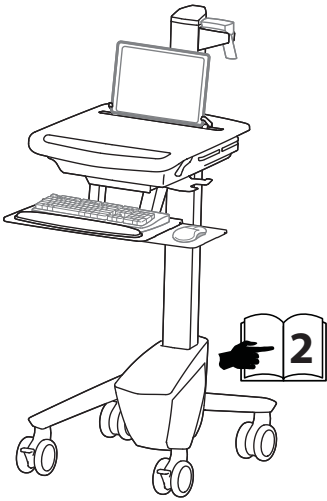


Ergotron® StyleView Cart

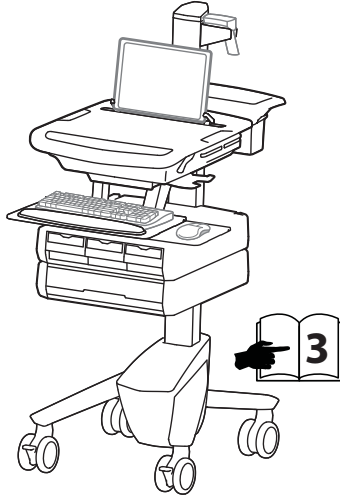
Dimensional Illustrations

StyleView® Carts

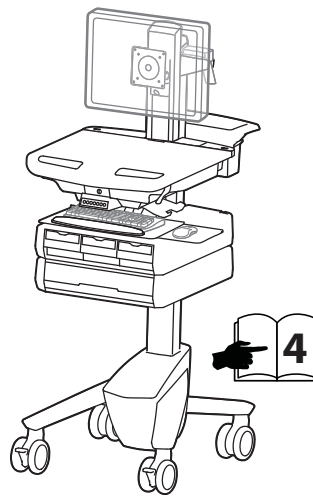
SV40 Laptop



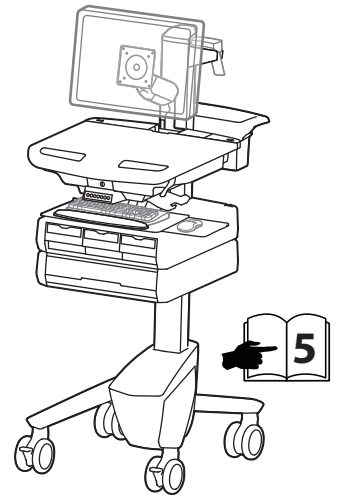
SV41/SV43 Laptop



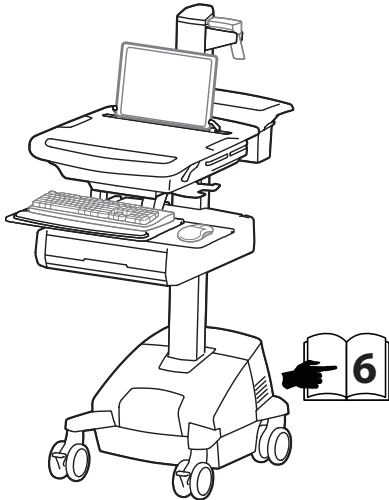
SV41/SV43 LCD Pivot



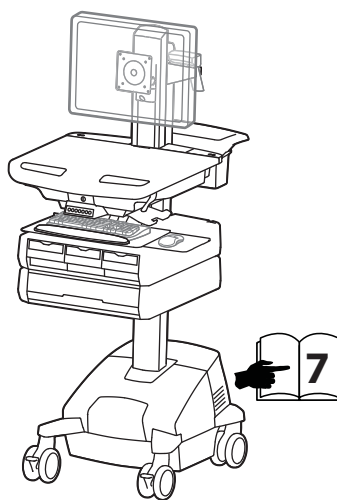
SV41/SV43 LCD Arm



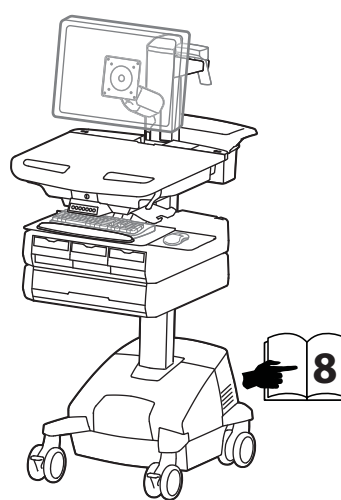
SV42/SV44 Laptop



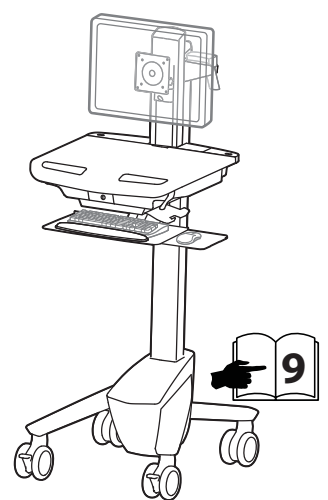
SV42/SV44 LCD Pivot



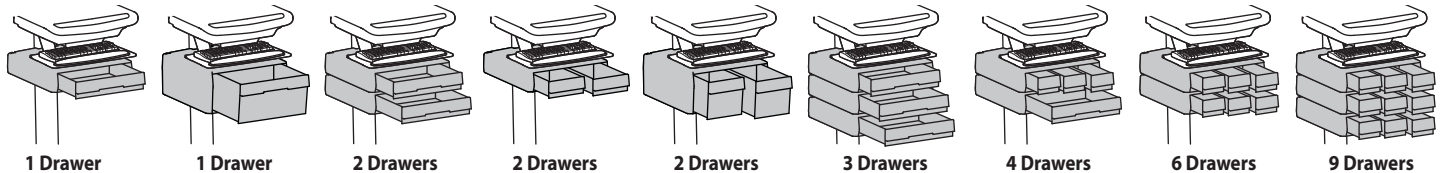
SV42/SV44 LCD Arm



SV40 LCD Pivot



*Auto-Lock Drawer



© 2014 Ergotron, Inc. rev. 03/28/2018 DIM-SV4X-Drawers Content is subject to change without notification

Americas Sales and Corporate Headquarters

St. Paul, MN USA
(800) 888-8458
+1-651-681-7600
www.ergotron.com
sales@ergotron.com

EMEA Sales

Amersfoort, The Netherlands
+31 33 45 45 600
www.ergotron.com
info.eu@ergotron.com

APAC Sales

Tokyo, Japan
www.ergotron.com
apaccustomerservice@ergotron.com

Worldwide OEM Sales

www.ergotron.com
info.oem@ergotron.com

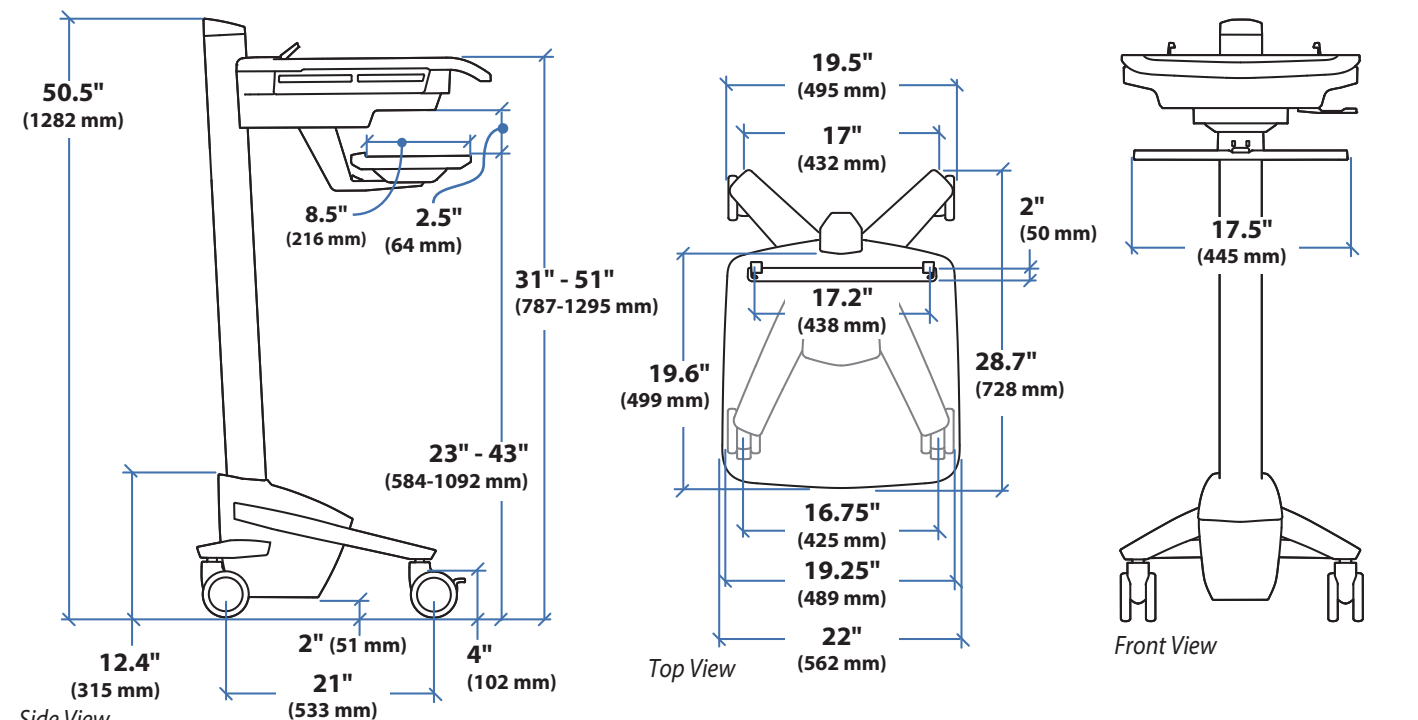
ERGOTRON®

Ergotron® StyleView Cart

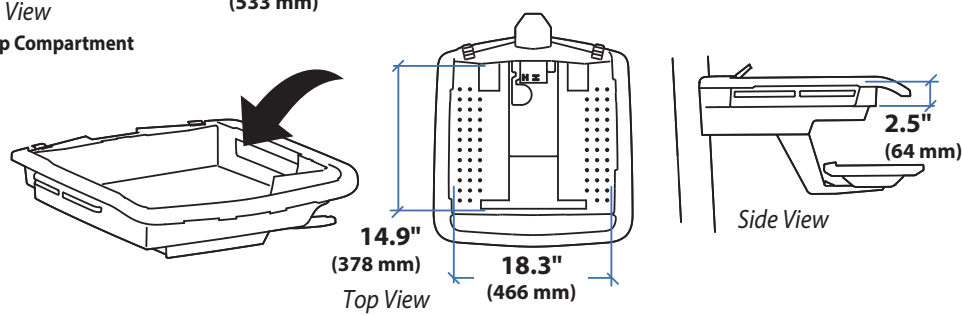
Dimensional Illustrations

StyleView® Laptop Cart, SV40

Dimensions

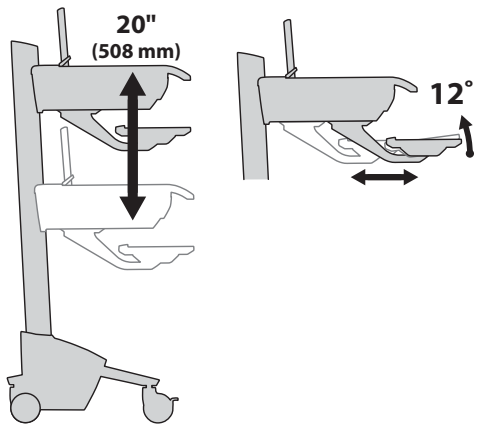


Side View
Laptop Compartment

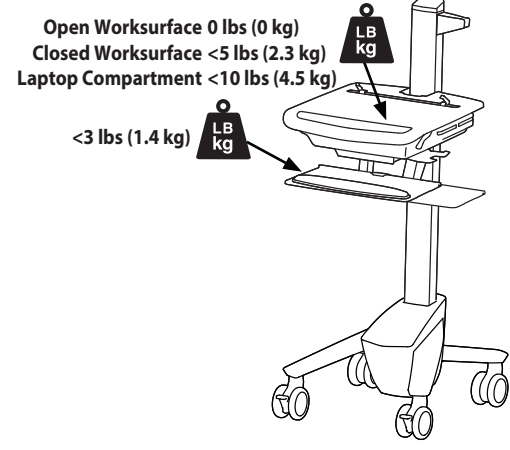


When figuring dimensions, include mounted accessories, protruding cables and port replicators or docking stations.

Range of Motion



Weight Capacity



© 2014 Ergotron, Inc. rev. 03/28/2018 DIM-SV4X-Drawers Content is subject to change without notification

Americas Sales and Corporate Headquarters	EMEA Sales	APAC Sales	Worldwide OEM Sales
St. Paul, MN USA (800) 888-8458 +1-651-681-7600 www.ergotron.com sales@ergotron.com	Amersfoort, The Netherlands +31 33 45 45 600 www.ergotron.com info.eu@ergotron.com	Tokyo, Japan www.ergotron.com apaccustomerservice@ergotron.com	www.ergotron.com info.oem@ergotron.com

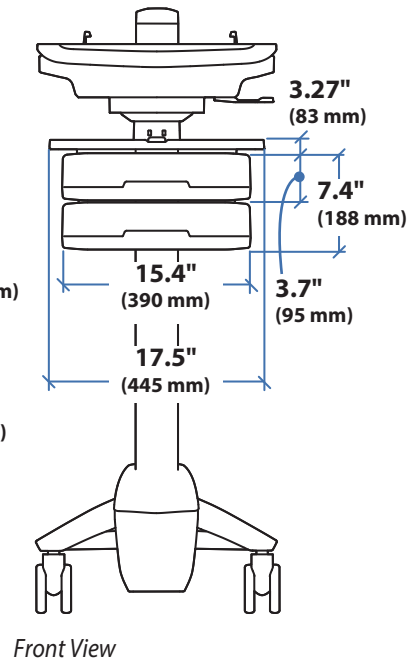
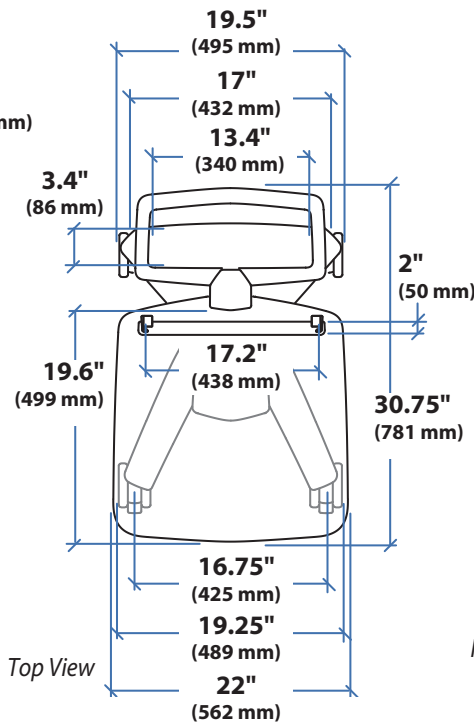
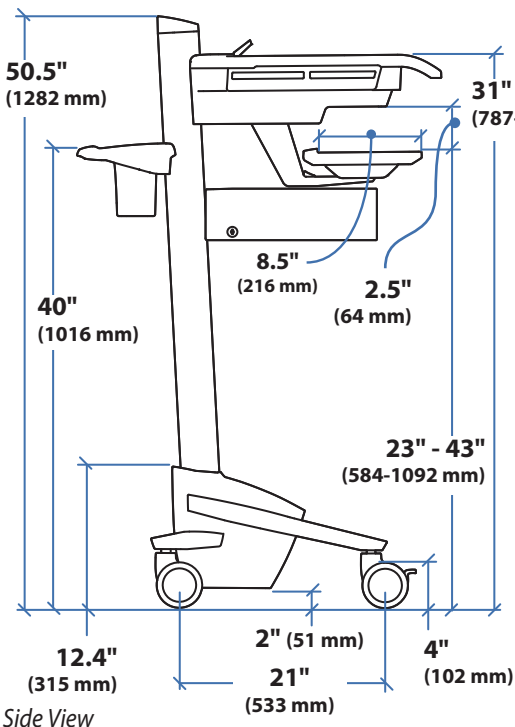


Ergotron® StyleView Cart

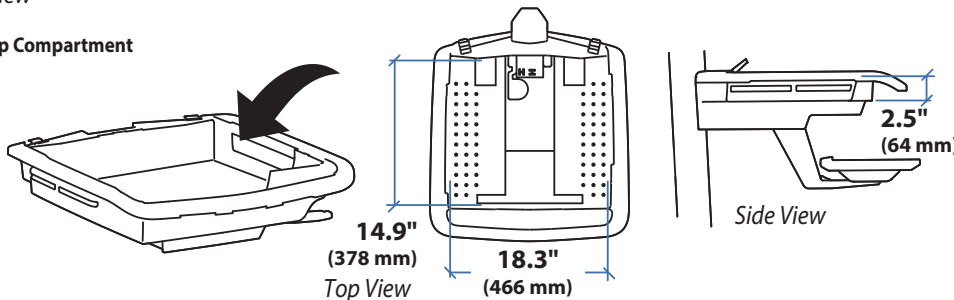
Dimensional Illustrations

StyleView® Laptop Cart, SV41/SV43

Dimensions

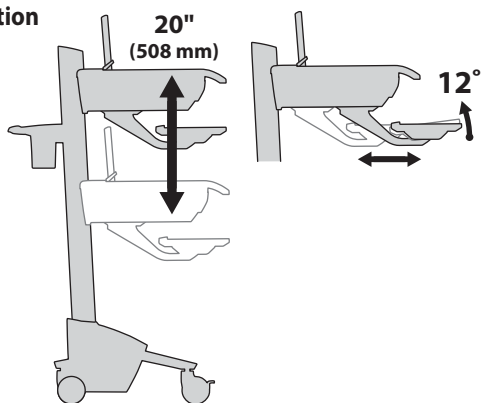


Laptop Compartment



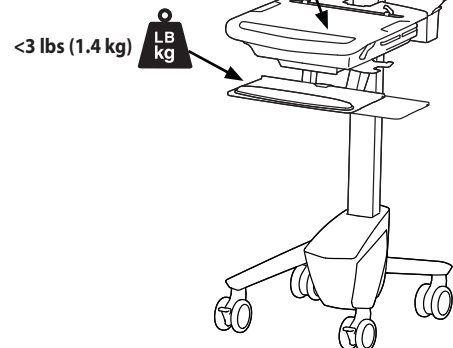
When figuring dimensions, include mounted accessories, protruding cables and port replicators or docking stations.

Range of Motion



Weight Capacity

- Open Worksurface 0 lbs (0 kg)
- Closed Worksurface <5 lbs (2.3 kg)
- Laptop Compartment <10 lbs (4.5 kg)



© 2014 Ergotron, Inc. rev. 03/28/2018 DIM-SV4X-Drawers Content is subject to change without notification

Americas Sales and Corporate Headquarters

St. Paul, MN USA
(800) 888-8458
+1-651-681-7600
www.ergotron.com
sales@ergotron.com

EMEA Sales

Amersfoort, The Netherlands
+31 33 45 45 600
www.ergotron.com
info.eu@ergotron.com

APAC Sales

Tokyo, Japan
www.ergotron.com
apaccustomerservice@ergotron.com

Worldwide OEM Sales

www.ergotron.com
info.oem@ergotron.com

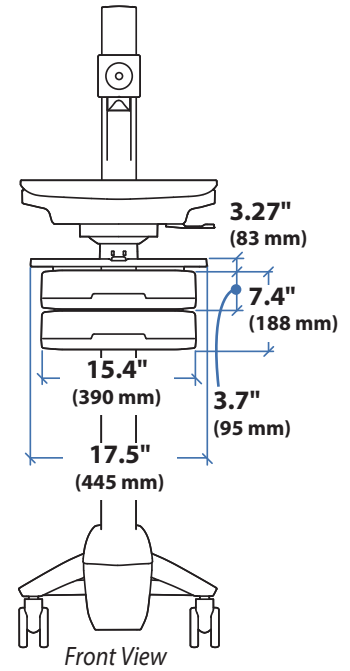
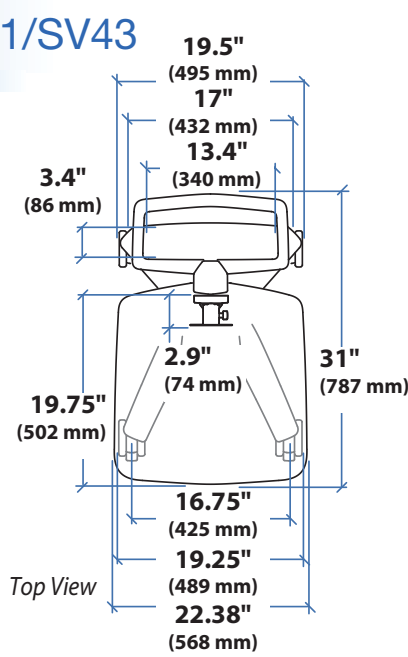
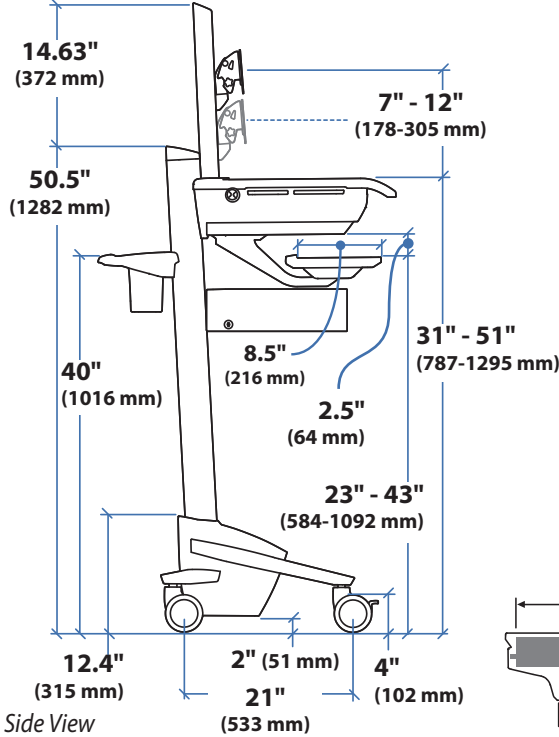
ERGOTRON®

Ergotron® StyleView Cart

Dimensional Illustrations

StyleView® Cart with LCD Pivot, SV41/SV43

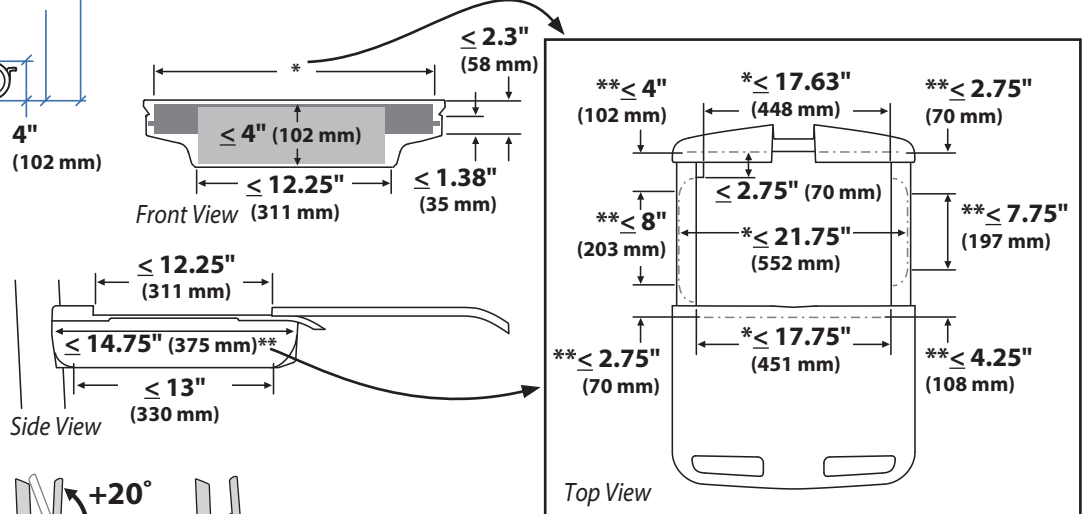
Dimensions



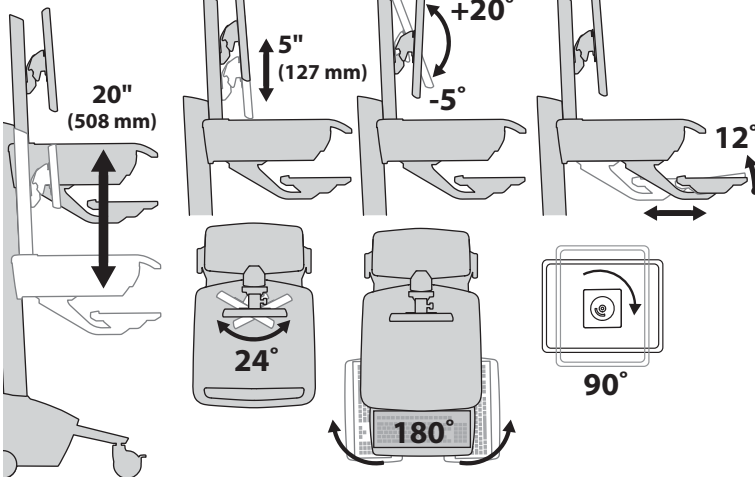
CPU Compartment



When figuring dimensions, include mounted accessories, protruding cables and port replicators or docking stations.

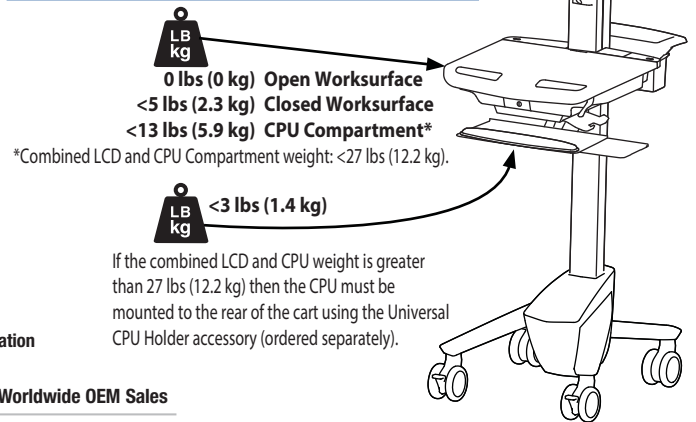


Range of Motion



Weight Capacity

With Independent LCD Lift: <14 lbs (6.4 kg)	Without Independent LCD Lift: 20 lbs (9 kg)
--	--



© 2014 Ergotron, Inc. rev. 03/28/2018 DIM-SV4X-Drawers Content is subject to change without notification

Americas Sales and Corporate Headquarters

St. Paul, MN USA
(800) 888-8458
+1-651-681-7600
www.ergotron.com
sales@ergotron.com

EMEA Sales

Amersfoort, The Netherlands
+31 33 45 45 600
www.ergotron.com
info.eu@ergotron.com

APAC Sales

Tokyo, Japan
www.ergotron.com
apaccustomerservice@ergotron.com

Worldwide OEM Sales

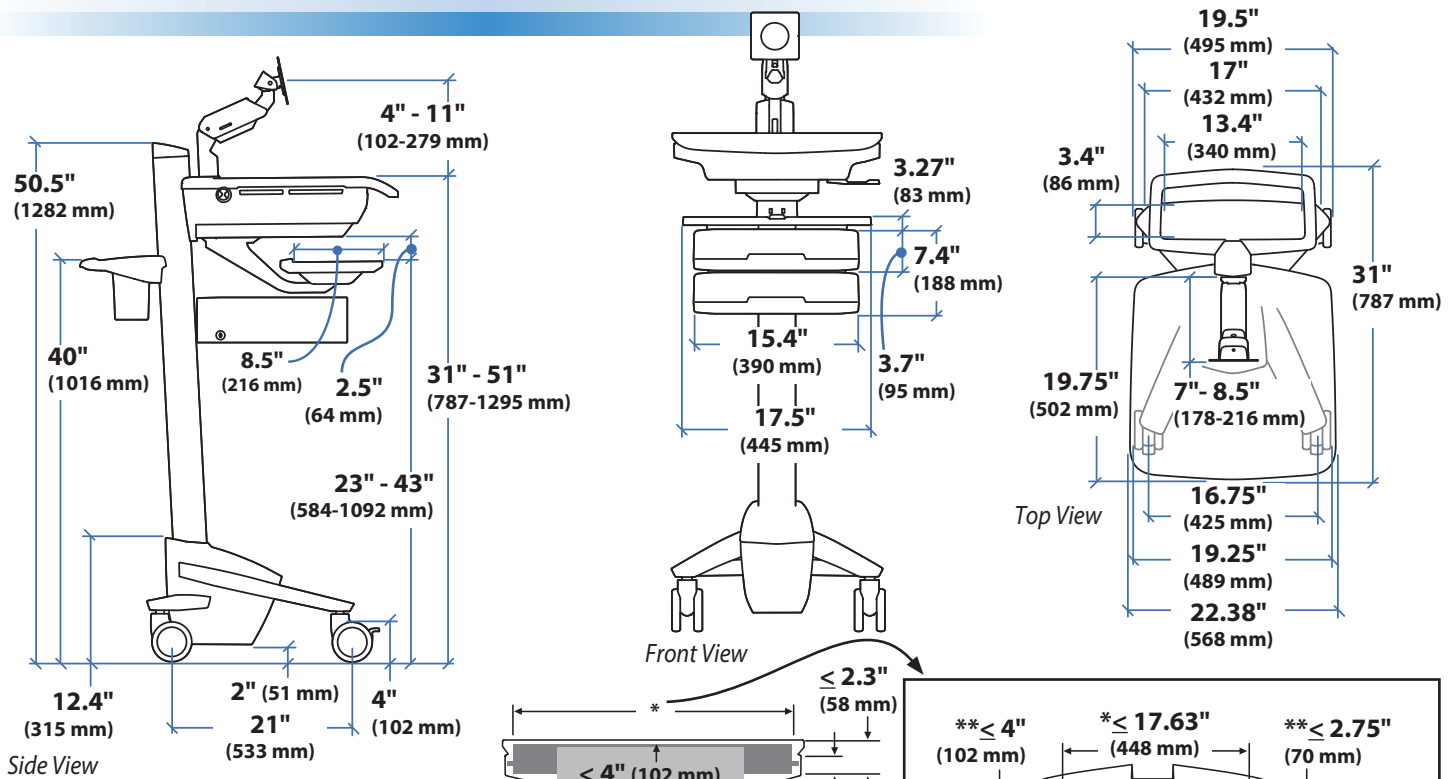
www.ergotron.com
info.oem@ergotron.com

ERGOTRON®

Ergotron® StyleView Cart

Dimensional Illustrations

StyleView® Cart with LCD Arm SV41/SV43

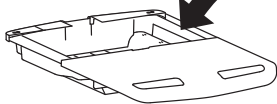


Side View

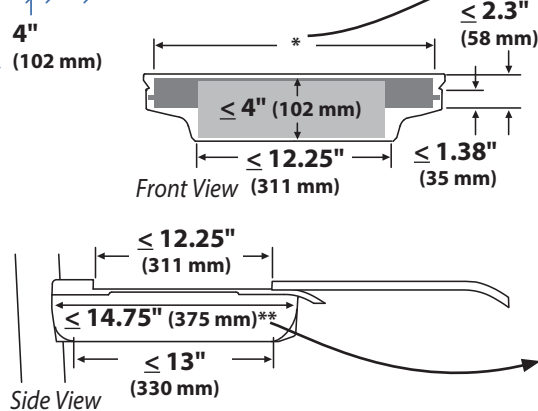
Front View

Top View

CPU Compartment

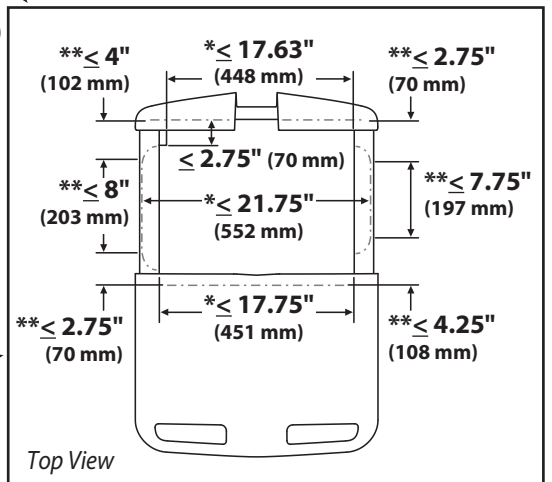


When figuring dimensions, include mounted accessories, protruding cables and port replicators or docking stations.



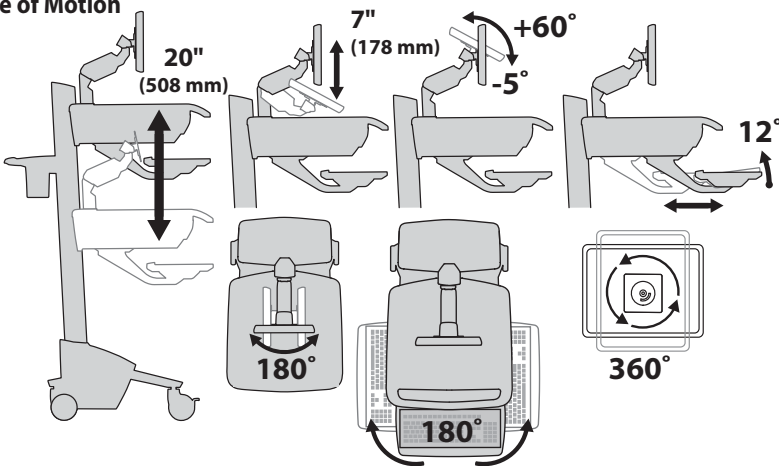
Front View (311 mm)

Side View

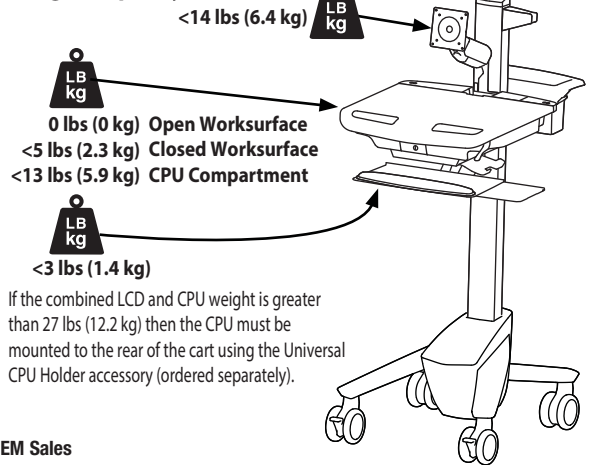


Top View

Range of Motion



Weight Capacity



If the combined LCD and CPU weight is greater than 27 lbs (12.2 kg) then the CPU must be mounted to the rear of the cart using the Universal CPU Holder accessory (ordered separately).

© 2014 Ergotron, Inc. rev. 03/28/2018 DIM-SV4X-Drawers Content is subject to change without notification

Americas Sales and Corporate Headquarters

St. Paul, MN USA
 (800) 888-8458
 +1-651-681-7600
 www.ergotron.com
 sales@ergotron.com

EMEA Sales

Amersfoort, The Netherlands
 +31 33 45 45 600
 www.ergotron.com
 info.eu@ergotron.com

APAC Sales

Tokyo, Japan
 www.ergotron.com
 apaccustomerservice@ergotron.com

Worldwide OEM Sales

www.ergotron.com
 info.oem@ergotron.com

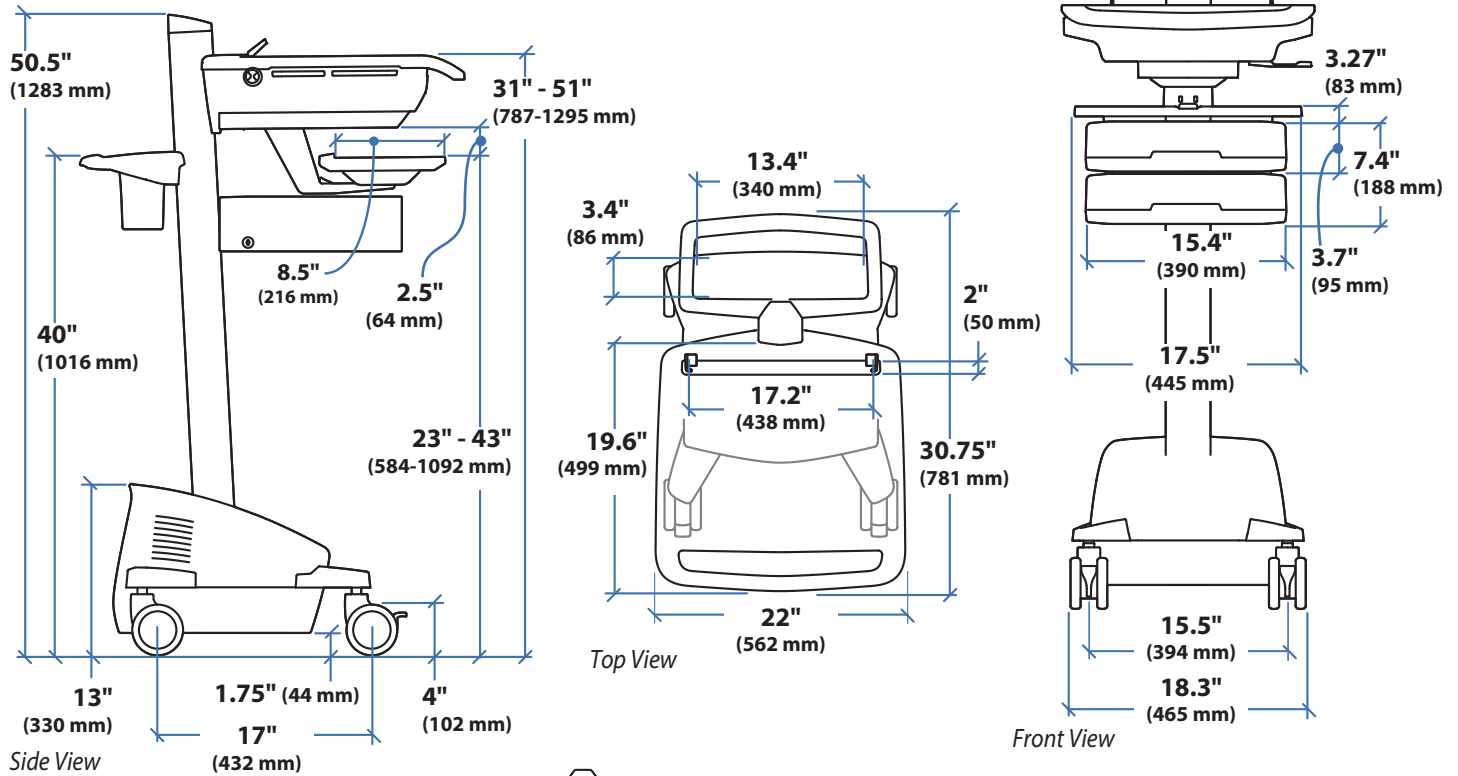
ERGOTRON®

Ergotron® StyleView Cart

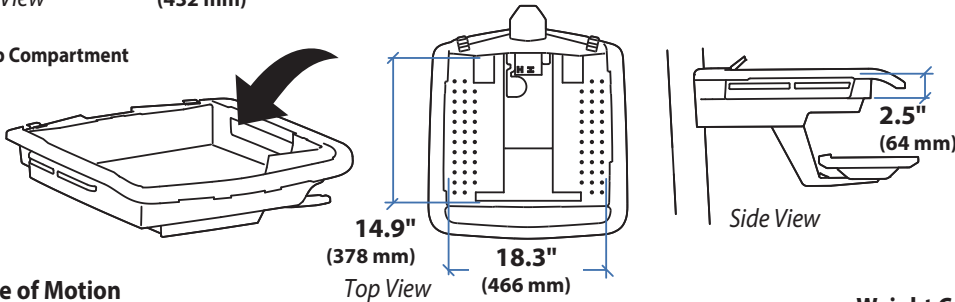
Dimensional Illustrations

StyleView® Laptop Cart, Powered SV42/SV44

Dimensions

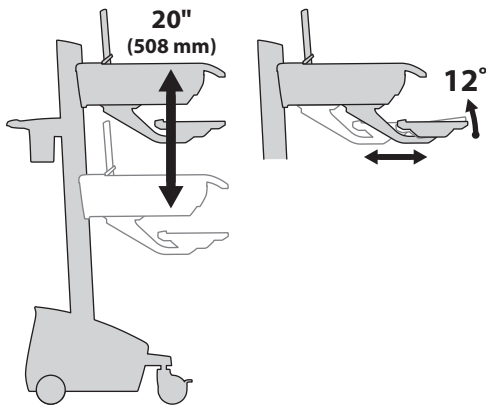


Laptop Compartment



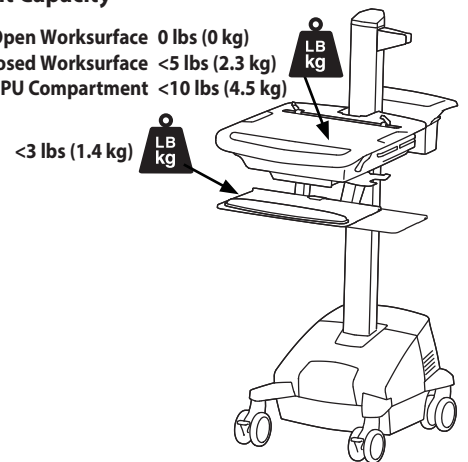
When figuring dimensions, include mounted accessories, protruding cables and port replicators or docking stations.

Range of Motion



Weight Capacity

- Open Worksurface 0 lbs (0 kg)
- Closed Worksurface <5 lbs (2.3 kg)
- CPU Compartment <10 lbs (4.5 kg)



© 2014 Ergotron, Inc. rev. 03/28/2018 DIM-SV4X-Drawers Content is subject to change without notification

Americas Sales and Corporate Headquarters

St. Paul, MN USA
(800) 888-8458
+1-651-681-7600
www.ergotron.com
sales@ergotron.com

EMEA Sales

Amersfoort, The Netherlands
+31 33 45 45 600
www.ergotron.com
info.eu@ergotron.com

APAC Sales

Tokyo, Japan
www.ergotron.com
apaccustomerservice@ergotron.com

Worldwide OEM Sales

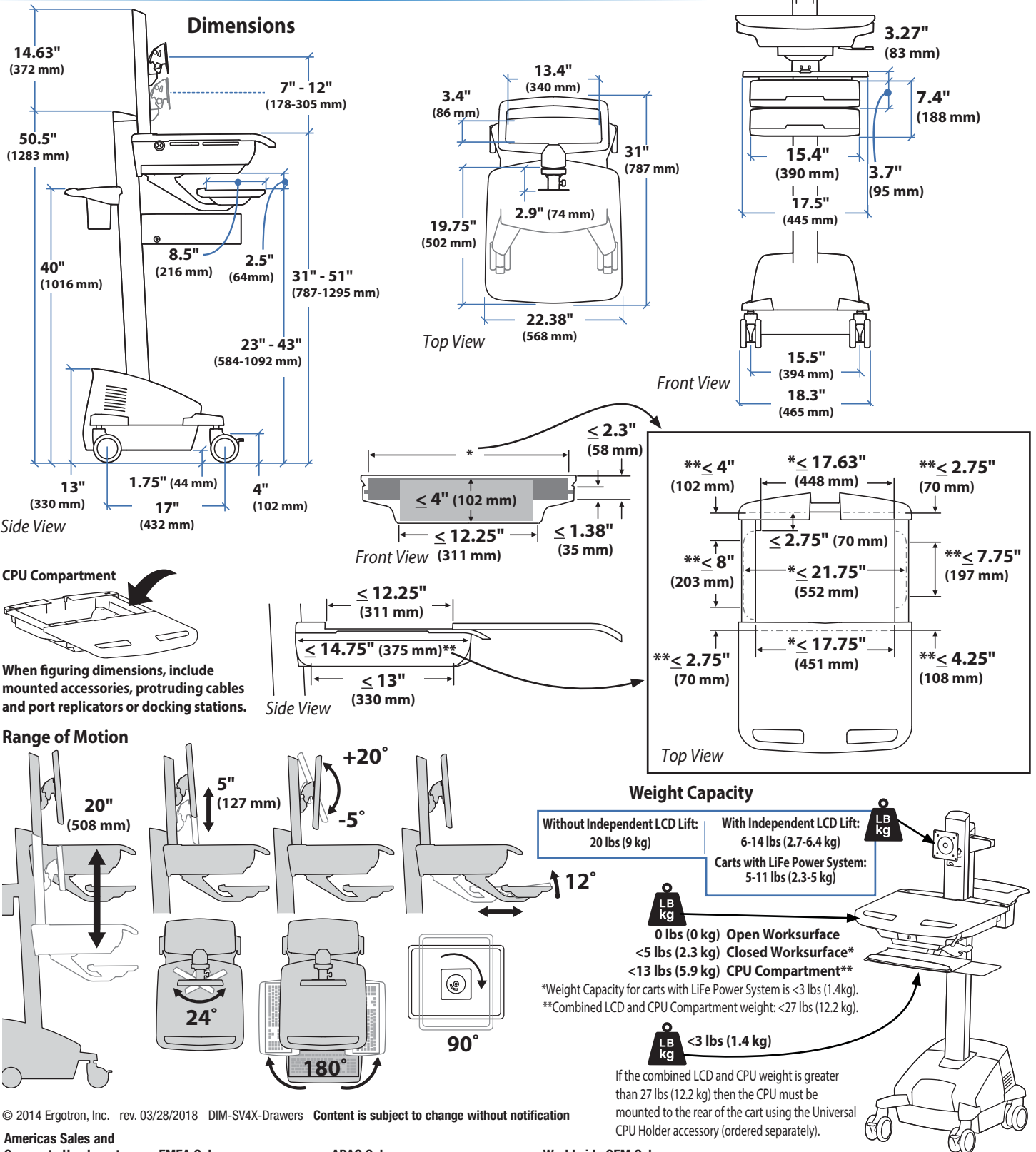
www.ergotron.com
info.oem@ergotron.com

ERGOTRON®

Ergotron® StyleView Cart

Dimensional Illustrations

StyleView® Cart with LCD Pivot, Powered SV42/SV44



© 2014 Ergotron, Inc. rev. 03/28/2018 DIM-SV4X-Drawers Content is subject to change without notification

Americas Sales and Corporate Headquarters

EMEA Sales

APAC Sales

Worldwide OEM Sales

St. Paul, MN USA
(800) 888-8458
+1-651-681-7600
www.ergotron.com
sales@ergotron.com

Amersfoort, The Netherlands
+31 33 45 45 600
www.ergotron.com
info.eu@ergotron.com

Tokyo, Japan
www.ergotron.com
apaccustomerservice@ergotron.com

www.ergotron.com
info.oem@ergotron.com

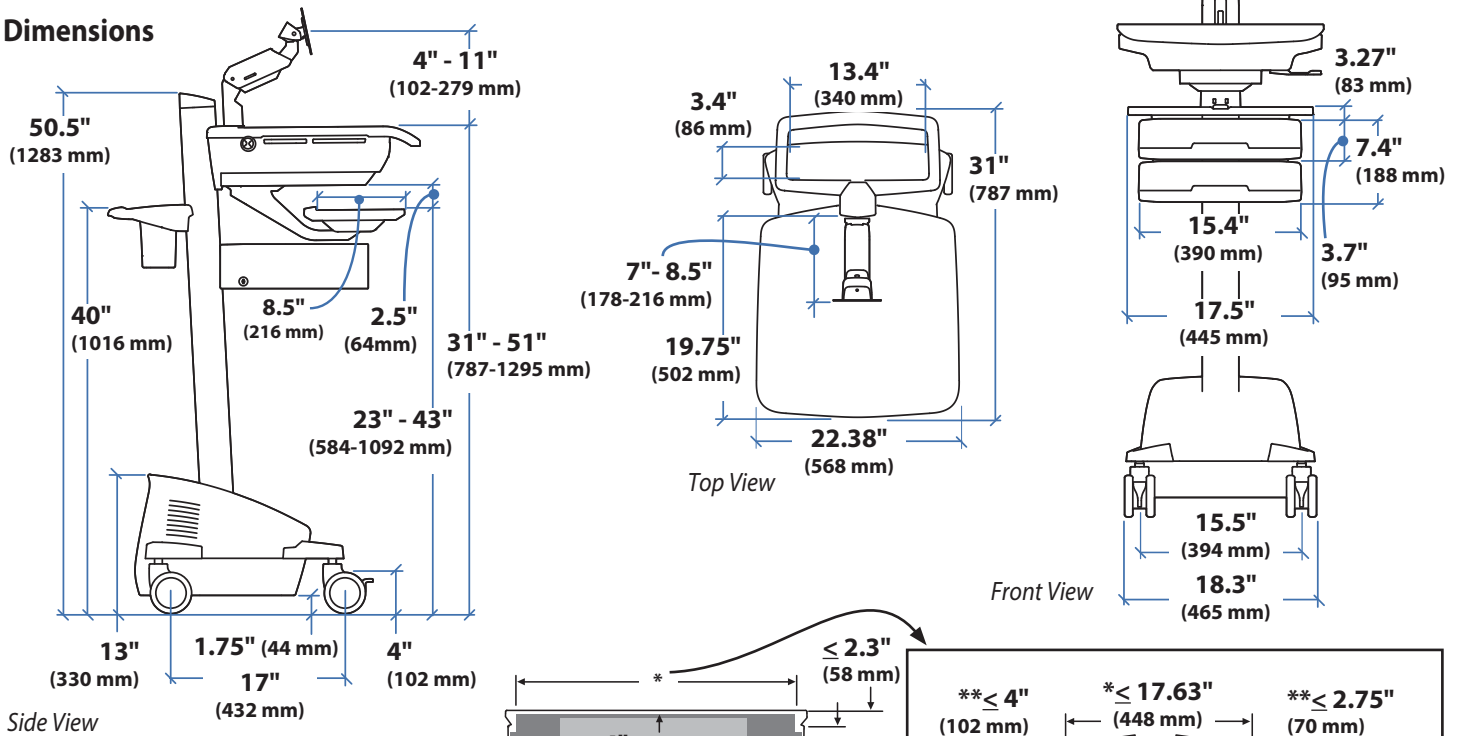
ERGOTRON®

Ergotron® StyleView Cart

Dimensional Illustrations

StyleView® Cart with LCD Arm, Powered SV42/SV44

Dimensions

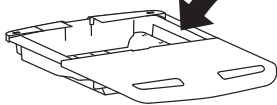


Side View

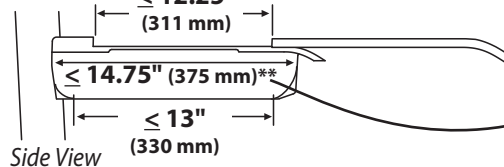
Top View

Front View

CPU Compartment

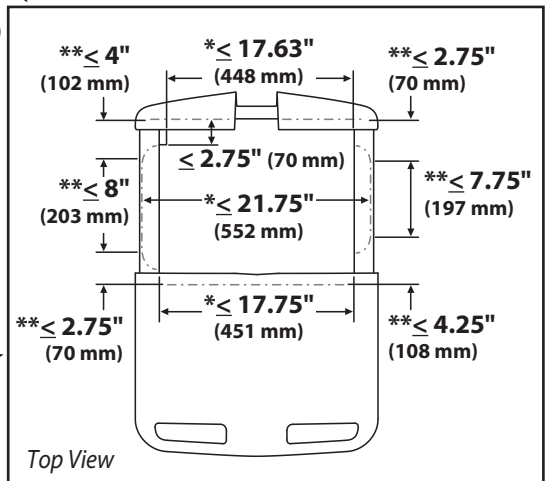


When figuring dimensions, include mounted accessories, protruding cables and port replicators or docking stations.



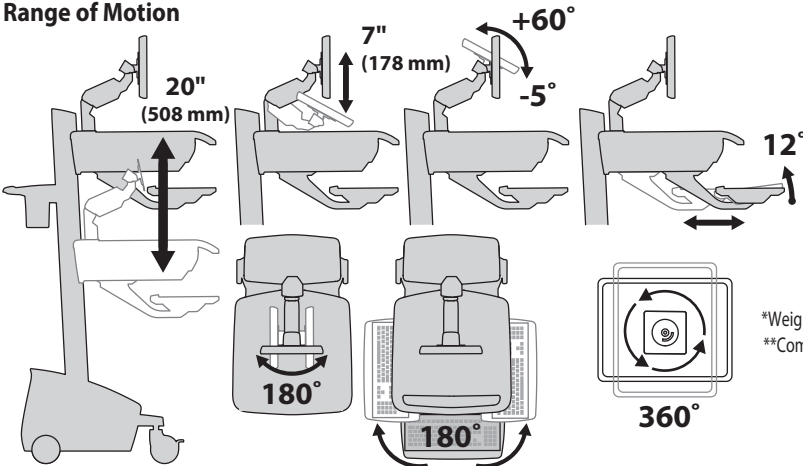
Front View

Side View



Top View

Range of Motion



Weight Capacity: <14 lbs (6.4 kg)

Carts with LiFe Power System:
5-11 lbs (2.3-5 kg)

0 lbs (0 kg) Open Worksurface

<5 lbs (2.3 kg) Closed Worksurface*

<13 lbs (5.9 kg) CPU Compartment**

*Weight Capacity for carts with LiFe Power System is <3 lbs (1.4kg).

**Combined LCD and CPU Compartment weight: <27 lbs (12.2 kg).

<3 lbs (1.4 kg)

If the combined LCD and CPU weight is greater than 27 lbs (12.2 kg) then the CPU must be mounted to the rear of the cart using the Universal CPU Holder accessory (ordered separately).

© 2014 Ergotron, Inc. rev. 03/28/2018 DIM-SV4X-Drawers Content is subject to change without notification

Americas Sales and Corporate Headquarters

EMEA Sales

APAC Sales

Worldwide OEM Sales

St. Paul, MN USA
(800) 888-8458
+1-651-681-7600
www.ergotron.com
sales@ergotron.com

Amersfoort, The Netherlands
+31 33 45 45 600
www.ergotron.com
info.eu@ergotron.com

Tokyo, Japan
www.ergotron.com
apaccustomerservice@ergotron.com

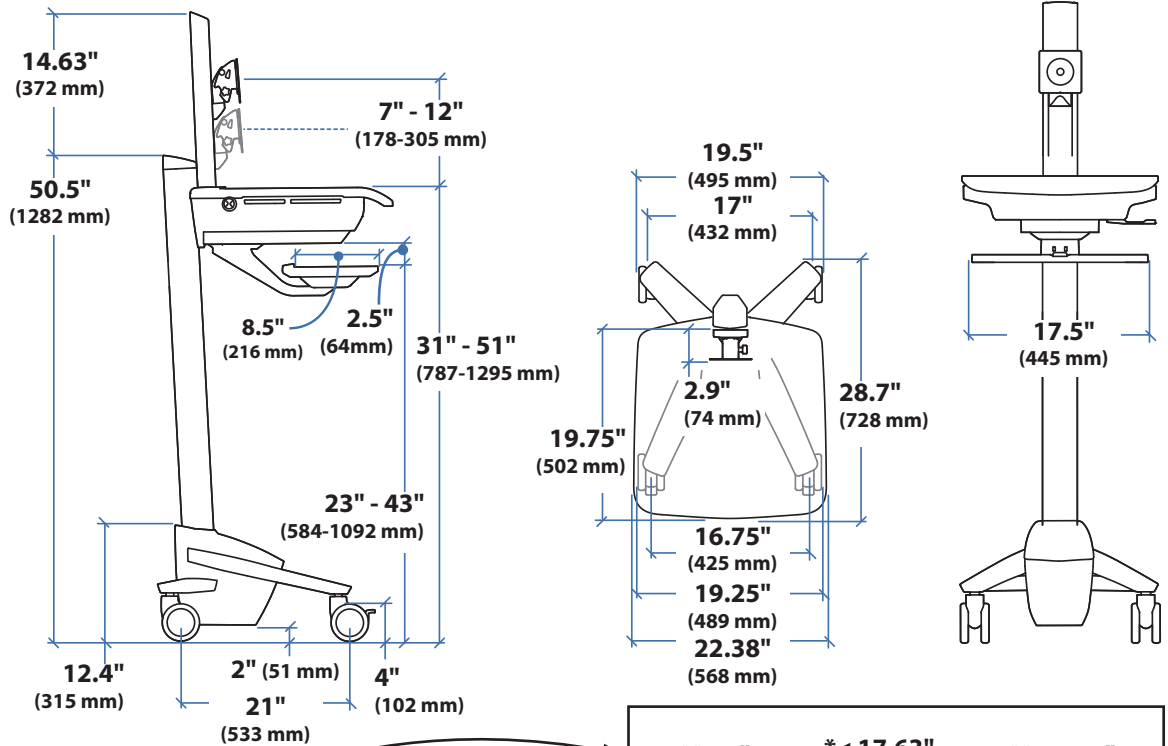
www.ergotron.com
info.oem@ergotron.com

ERGOTRON®

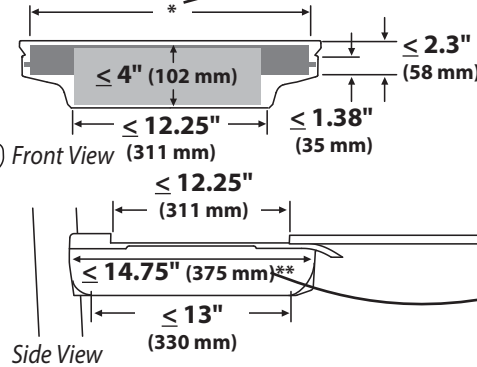
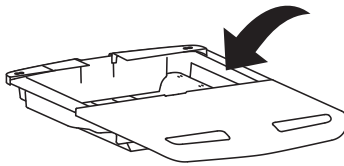
Ergotron® StyleView Cart

StyleView® Cart with LCD Pivot, SV40

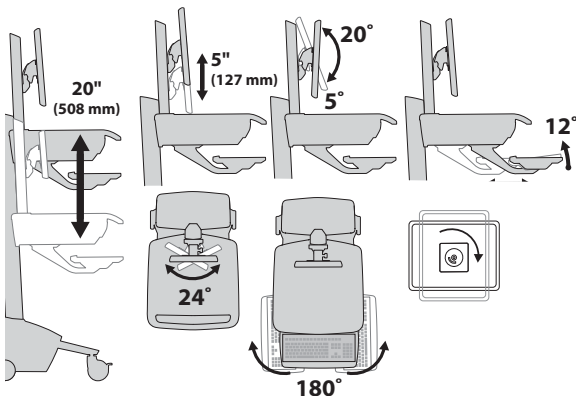
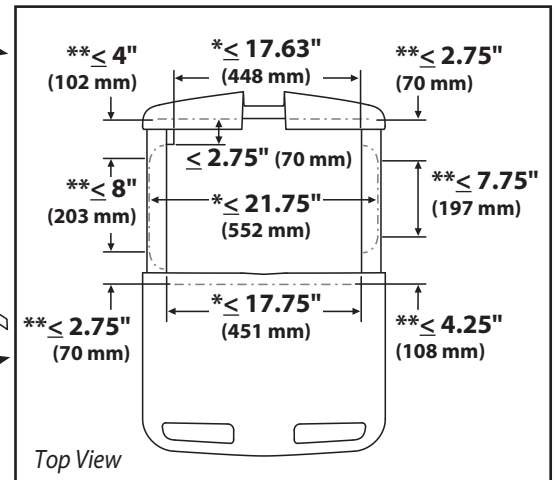
Dimensions



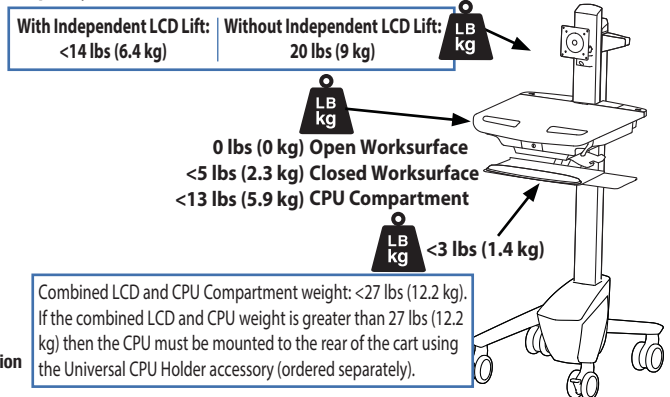
CPU Compartment



When figuring dimensions, include mounted accessories, protruding cables and port replicators or docking stations.



Weight Capacity



© 2014 Ergotron, Inc. rev. 03/28/2018 DIM-SV4X-Drawers Content is subject to change without notification

Americas Sales and Corporate Headquarters

St. Paul, MN USA
(800) 888-8458
+1-651-681-7600
www.ergotron.com
sales@ergotron.com

EMEA Sales

Amersfoort, The Netherlands
+31 33 45 45 600
www.ergotron.com
info.eu@ergotron.com

APAC Sales

Tokyo, Japan
www.ergotron.com
apaccustomerservice@ergotron.com

Worldwide OEM Sales

www.ergotron.com
info.oem@ergotron.com

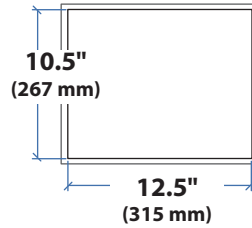
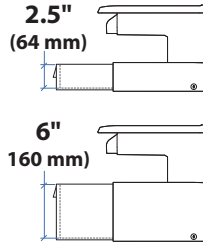
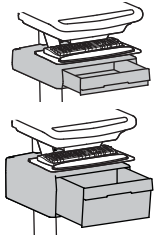


Ergotron® StyleView Cart

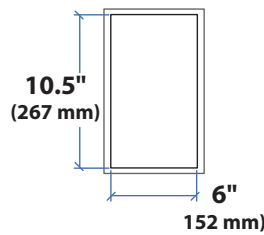
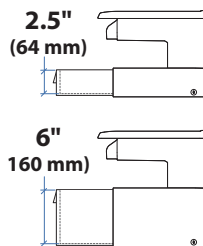
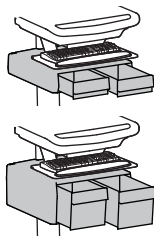
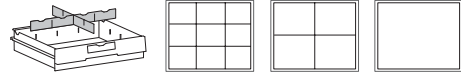
Dimensional Illustrations

StyleView® Cart Auto-Lock Drawer

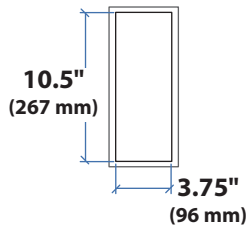
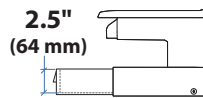
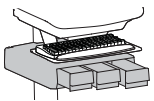
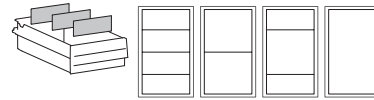
Dimensions



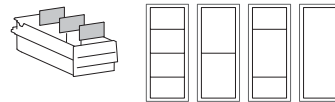
Total weight capacity per drawer.
≤ 2 lbs (1 kg)



Total weight capacity per drawer.
≤ 1 lbs (0.5 kg)



Total weight capacity per drawer.
≤ 0.25 lbs (0.1 kg)



© 2014 Ergotron, Inc. rev. 03/28/2018 DIM-SV4X-Drawers Content is subject to change without notification

Americas Sales and Corporate Headquarters

St. Paul, MN USA
(800) 888-8458
+1-651-681-7600
www.ergotron.com
sales@ergotron.com

EMEA Sales

Amersfoort, The Netherlands
+31 33 45 45 600
www.ergotron.com
info.eu@ergotron.com

APAC Sales

Tokyo, Japan
www.ergotron.com
apaccustomerservice@ergotron.com

Worldwide OEM Sales

www.ergotron.com
info.oem@ergotron.com

ERGOTRON®