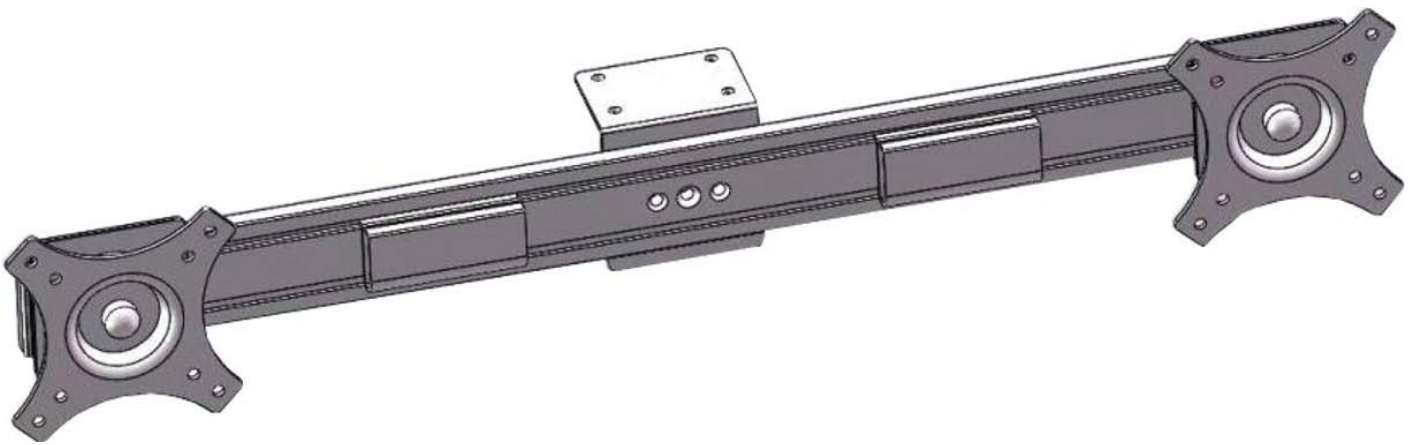


standesk™



twin monitor bracket

The **Standesk** electric sit-stand workstation is available with a twin monitor mount. This accessory will allow you to mount 2 monitors to work simultaneously.

Twin monitor bracket

- iMac convertible using a VESA mount adapter kit for iMac adapter



TECH SPECS

- Bracket Type: Dual Monitor Pole Mount
- **Max screen width including bezel = 600 wide**
- Screen Size: Up to 27" (depending on bezel & screen overall width)
- Weight Rating: Up to 10 kg per screen
- Vesa Mounting Support: 75 x 75 to 100 x 100 (WxH)
- **iMac convertible using a VESA Mount Adapter Kit for iMac adapter**
- Tilt: 15° Up / 15° Down from centre
- Extension 300mm to 610mm from centre to centre of Vesa mounting bracket
- Portrait/Landscape: Both (360° rotation)
- Pole Length: 675mm (Pole size: L675mm x W55mm)
- Accessories: Parts bag, M4 bolts, User Guide & Hex Key
- Colour: Silver matt finish
- 5 Year Warranty
- Recommended for LCD monitors up to 27"
- Solid diecast aluminium track allowing for different size monitors
- Angle/swivel adjustment for monitor arm included. NOTE: this can be reversed to increase the height of the monitor for taller users during assembly
- Vesa brackets are adjustable for swivel and angle
- Per unit box size = 760mm x 150mm x 70mm (0.008m3) : Gross weight 1.8kg per unit.
- **Standard packaging= 10 Units per box = Shipping dimensions 770mm x 370mm x 320mm (0.09m3) : Gross weight 19kg per box containing 10 units.**