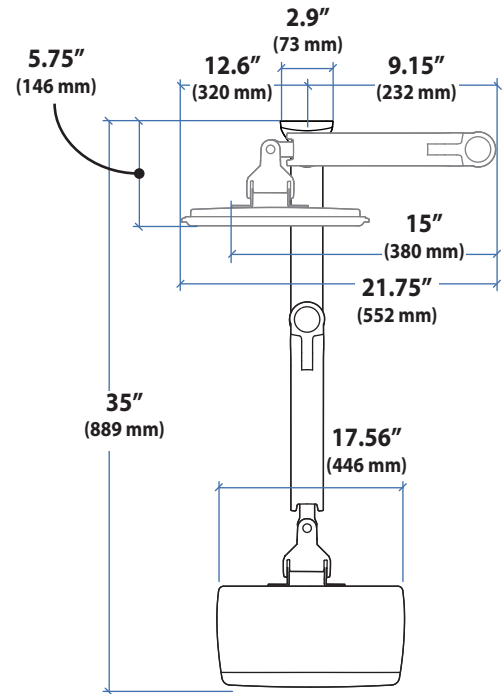
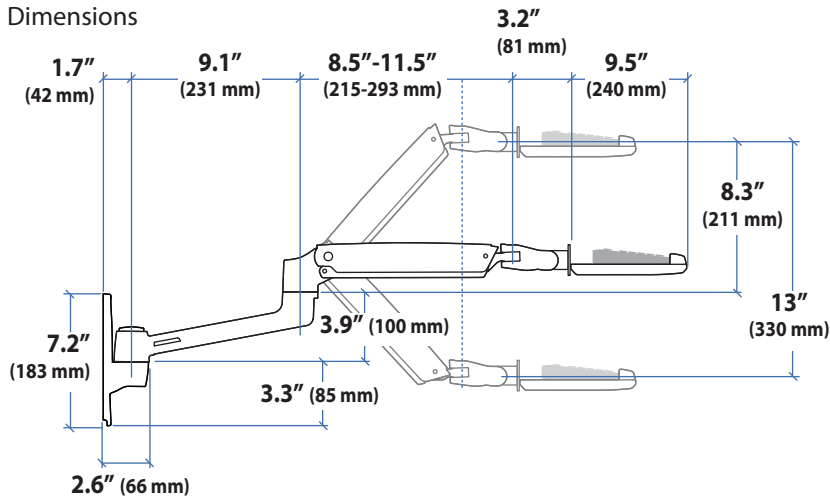


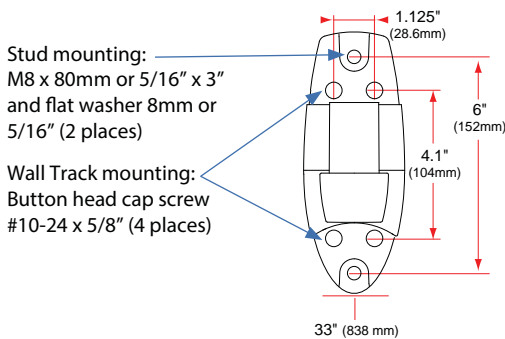
### Wall Mount Keyboard Arm



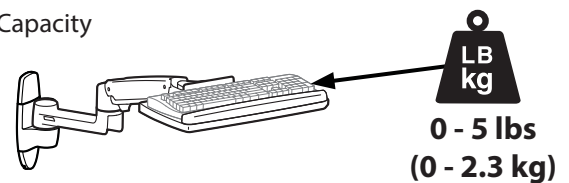
#### Dimensions



#### Wall Mount Bracket



#### Weight Capacity



#### Range of Motion

